



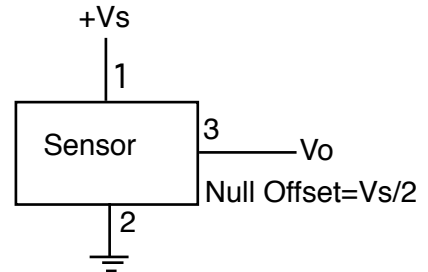
AMP25, AMP50, AMP100

805/964-9119 FAX 805/967-8789
 Box 152, Goleta, CA 93116
 e-mail:sales@amploc.com
 www.amploc.com

25,50,100 Ampere Ratings

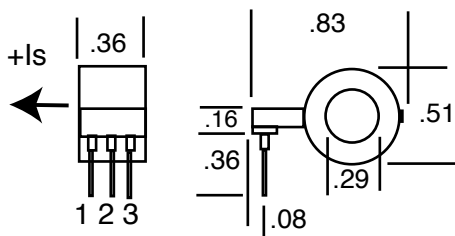
Hall effect linear sensors. (-40 to +125C)

Sensor Style	Fig.	Sensed Current (Amps peak)	Vs= +5V ΔV_o at peak rated current **	Vs= +5V Sensitivity mV/A **
AMP25*	1	25	.9V	37
AMP50	1	50	1.14V	23
AMP100	1	100	1.9V	19



** proportional to Vs

Figure 1



Dimensions: Inches
 Terminals: .025 sq., 0.1 spacing.
 Weight: 3 grams.

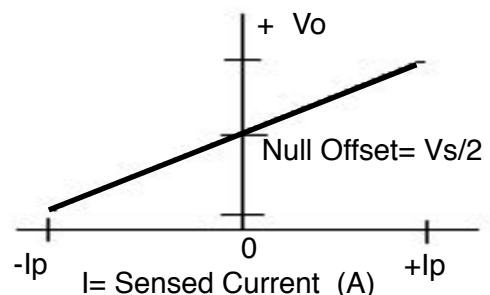
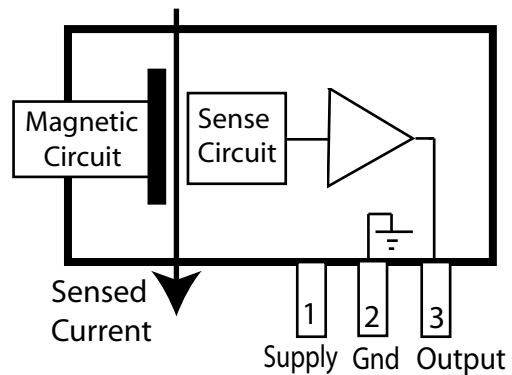


AMP25 Linear to 65A.
 AMP50 Linear to 100A.
 AMP100 Linear to 140A.

Caution: Do not reverse supply voltage polarity.

ELECTRICAL CHARACTERISTICS

Supply voltage, Vs... (AMP25)*+4.5 to +8 Vdc
 Supply voltage, Vs.. AMP50, AMP100)..+4.5 to +10 Vdc
 Supply Current..... 10mA max.
 Output Current..... 2mA max.
 Offset Voltage, Vo (Sensed I = 0A.). Vs/2±1%
 Output Voltage, Vo is proportional to Vs.
 Temperature Error
 Null..... .03%/C
 Gain..... .03%/C
 Temperature Range.....-40C to + 125C
 Response Time.*..... 7µSec.
 Response Time..... 3µSec.
 Linearity (Full Scale)..... 1%
 Accuracy (Full Scale)..... ±2%
 A.C. Hysteresis Error..... 0.5%





amploc
current sensors

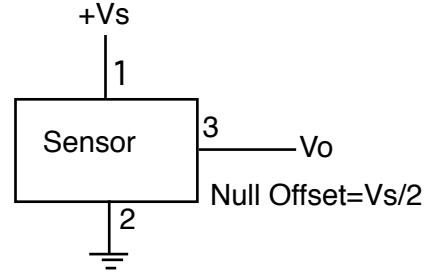
AMP200, AMP300

200A and 300A ratings

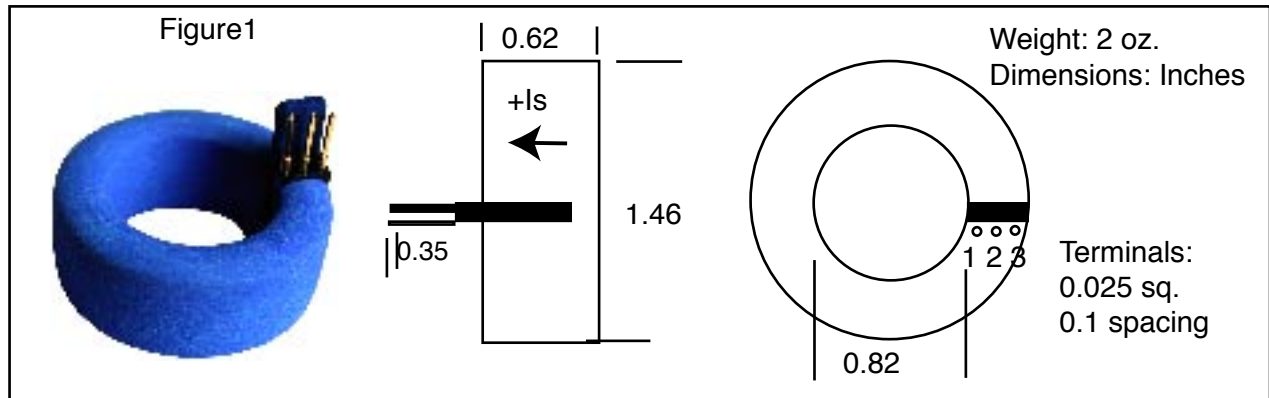
805/964-9119 FAX 805/967-8789
Box 152, Goleta, CA 93116
e-mail:sales@amploc.com
www.amploc.com

Hall effect linear current sensors. (-40C to +125C)

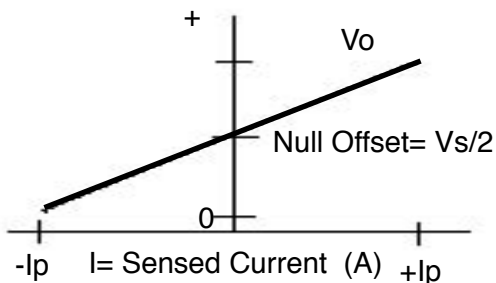
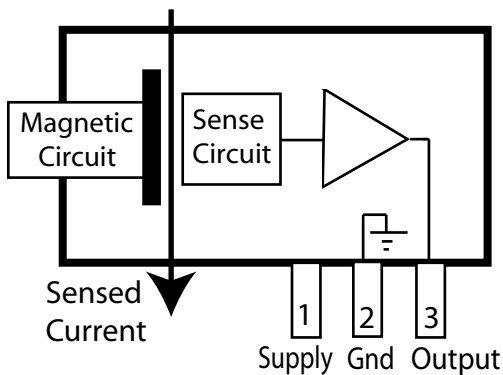
Sensor Style	Fig.	Sensed Current (Amps peak)	Vs= +5V ΔV_o at peak rated current *	Vs= +5V Sensitivity mV/A *
AMP 200	1	200	1.9V	9.5
AMP 300	1	300	2.38V	7.9



* proportional to Vs



Mating connector: Samtec SSW-1-03-02-T-S-RA
or Molex 5051-4



Caution: Do not reverse supply voltage polarity.
Do not drop on cement floor.

ELECTRICAL CHARACTERISTICS

- Supply voltage, Vs.....+4.5 to +10.0 Vdc
- Supply Current..... 10mA max.
- Output Current..... 2mA max.
- Offset Voltage, V_o (Sensed $I = 0A$). $V_s/2 \pm 1\%$
- Output Voltage, V_o is proportional to V_s .
- Temperature Error
- Null..... .03%/C
- Gain..... .03%/C
- Temperature Range..... -40C to +125C
- Response Time..... 3 μ Sec.
- Linearity (Full Scale)..... 1%
- Accuracy (Full Scale)..... $\pm 2\%$